

wh Münzprüfer Berlin

ES 006

Horizontal coin insert

**For internet terminals and
kiosk applications**

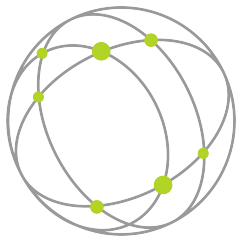
**With illuminated coin
entry bezel**



Application Example

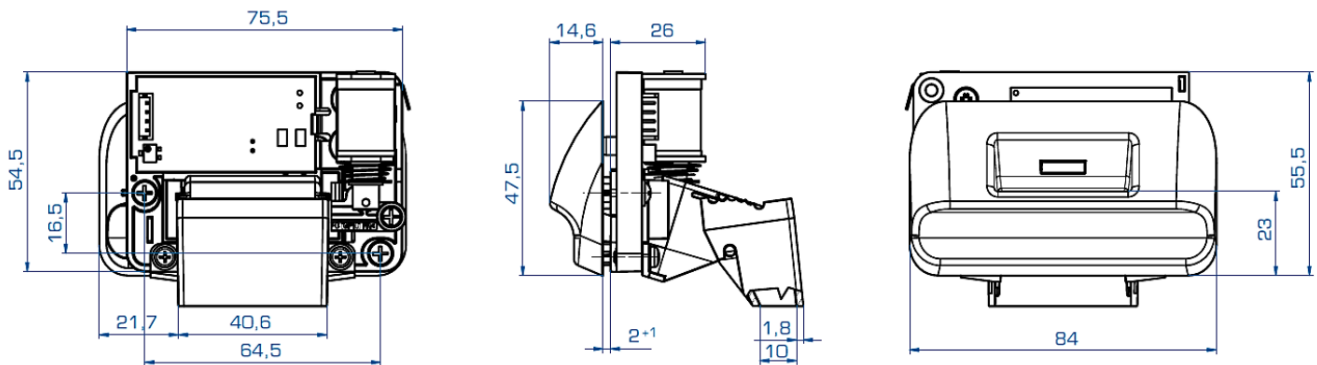
Electronic anti pin system

The horizontal anti pin system was specially designed for coin operated internet terminals and for kiosk applications. Used in conjunction with any wh Münzprüfer electronic coin selector, the anti-pin system provides an extra level of security and deterrent to vandalism by preventing the acceptance of 'foreign bodies' (e.g. paper). In addition, it will provide coin entry blocking in such instances as 'no internet connection' or in response to other status reports which are generated by the PC. The 3 colour illuminated coin entry bezel matches perfectly with any machine design.



Description

The coin entry slot remains blocked to all non-metallic objects and also any metal items of a lower mass than the requisite coin. The high frequency sensor remains unaffected by dust etc. The sensor only emits a signal when a coin is in close proximity to the slot and the machine controller activates the solenoid to open the slot (ES 006.xx.S). For applications without a separate controller the anti-pin system ES 006.xx.A with self-activation can be chosen. The coin slot opens automatically and closes after a pre-set period. The coin insert bezel incorporates a 3 colour LED, which illuminates the coin slot. On request the anti-pin system can also be supplied without coin entry bezel.



Technical Data

Dimensions (without bezel)	60mm x 76mm x 59mm (Height x Width x Depth)
Power Supply	12 to 24 volts DC
Standby current	Sensor < 1mA (12 volts)
With 3 colour LED	< 60 mA
Magnet	12 V 200 mA / 60% duty cycle 24 V 100 mA / 60 % duty cycle
Temperature range	+10°C to +70°C
Coin Slot	Group 1: 32.5mm x 2.8mm Group 2: 32.5mm x 3.5mm

Versions

ES 006.12.S	12 volts DC, standard version
ES 006.24.S	24 volts DC, standard version
ES 006.12.A	12 volts DC, self-activating
ES 006.24.A	24 volts DC, self-activating
Cable K 202	For ES 006, 4-pole, incl. connector
Cable K 204	For ES 006, 4-pole, solenoid ends