

wh Münzprüfer Berlin

ES 005

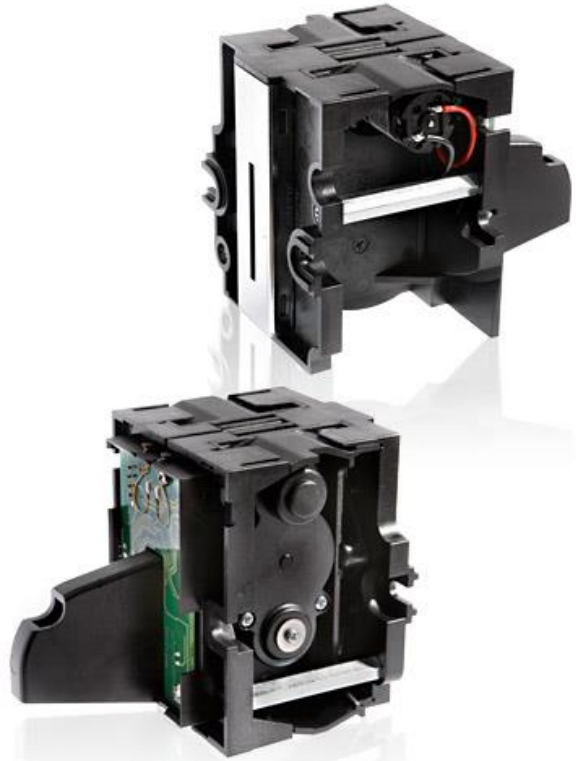
With rotating drum

Enhanced security level due to
active rejection of foreign
objects

For indoor and outdoor
applications

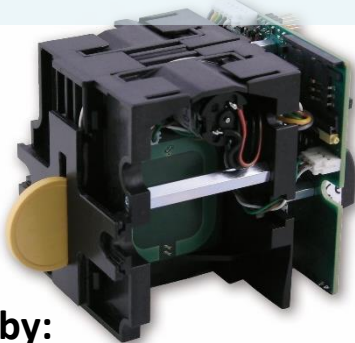
Self-cleaning procedure

Optional status and error signals



Electronic anti pin system

The ES 005 has been developed for all vending and ticketing machines that require an extra level of security. The incorporated rotating drum provides a reliable protection against foreign objects. Additional sensors to control the coin oath and a 'self-cleaning procedure' make the ES 005 an efficient security device reducing machines out-of-order times and deterring from vandalism. Thanks to the very compact design the ES 005 can be easily integrated or also retrofitted to existing machines.



ES 005.M

Solution for RFID systems

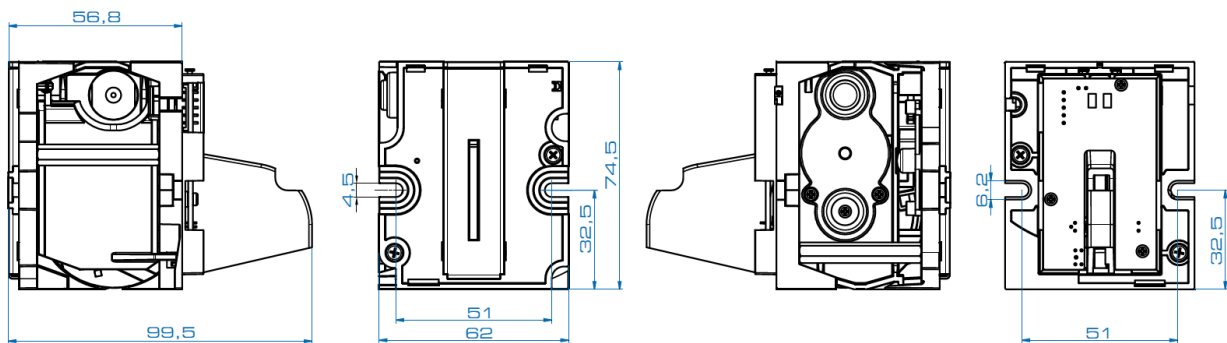
- Write/read module for transponder
- for MIFARE light, MIFARE Classic, Mifare DESFire
- USB & RS 232 interface

Distributed by:

Description

The main feature of the anti-pin ES005 is to block the coin slot of a vending or a ticketing machine in cases when a coin insertion is not desired. At the same time it provides an additional security against manipulation and the insertion of non-metallic and foreign objects. It also protects the coin processing unit against the intrusion of water or other liquids. These liquids will be directed to the waste chute and can therefore cause no further damage.

The exceptional feature of the ES 005 is the type of the coin shutter and the way the coin is transported towards the coin selector. The inserted coin is collected into a cavity of a drum. The transport is effected by the rotation of the drum thus causes the closing of the coin slot. A direct passage from the coin slots towards the coin selector is prevented. The anti-pin system ES 005 incorporates additional sensors the control the coin path. It also features a 'self-cleaning procedure' which pushes foreign objects like paper clips or paper either back out of the coin slot or directs them to the waste chute.



Technical Data

Dimensions	74.5mm x 62mm x 99.5mm (Height x Width x Depth)
Power supply	12 – 24 volts DC
Current consumption	Standby: approx.. 200 µA Operation: approx.. 100mA Forced stop: briefly < 600 mA
Processing speed	Approx.. 500 ms for one coin
Temp. range	-20°C to +70°C
Coin slot	Group 1: 32.5mm x 2.8mm Group 2: 33.0mm x 3.5mm

Versions

ES 005.S	Standard version (4-poles)
ES 005.A	Self-activating (4-poles)
ES 005.F	Additional error- and status signals (5-poles)
ES 005.SF	Additional error- and status signals (4-poles)
Cable K 202	For ES 005.S, 4-pole, incl. connector
Cable K 204	For ES 005.S, 4-pole, tinned ends
Cable K 217	For ES 005.F, 5-pole, tinned ends

Distributed by: