

wh Münzprüfer Berlin

E 101 / 105 Escrow

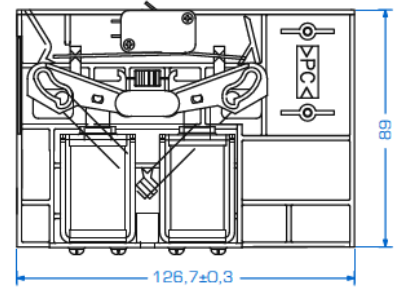
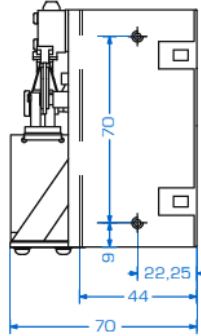
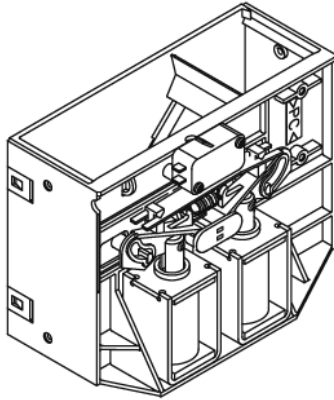


Escrow solenoid operated/ motor driven

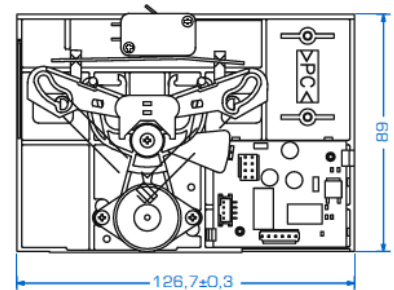
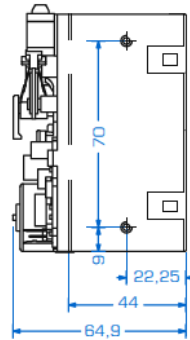
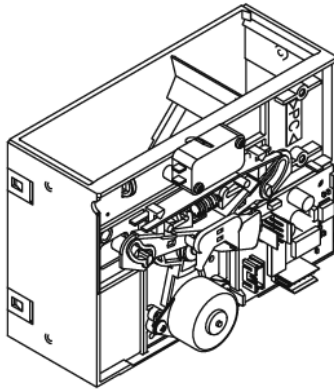
With a capacity of 450 grams, the escrow provides a universal solution for pre-vend coin storage requirements. Any interruption of vending process results in all coins being rejected, reducing the likelihood of coin manipulation and attempts of money laundering. Well suited to battery, accumulator or solar power application. With the injection moulded polycarbonate body, linkage and flaps, our escrows will operate in the most stringent conditions. Float-mounting of the escrow ensures optimum performance and reliability.

Distributed by:

E 101



E 105



Versions / Technical Data

- E 101** escrow, solenoid operated
E 105 escrow, motor driven

When the device is switched off, acceptance and return flaps are closed and locked. An input signal is required to activate the normally closed and locked acceptance and return flaps. Connector assignment:

1 Ground	2 +10 to 21 V DC
3 Acceptance, active low	4 Return, active low
5 Acceptance, active high	6 Return, active high
7 User ground	8 User ground

Micro switch – the built-in stop switch operates in the following manner – opening the return flap: the micro switch is activated immediately – opening the acceptance flap: the micro switch is activated at the end of the cycle.

E 101	
Dimensions	H 89.0 / w 126.7 / d 70.0 mm
Supply voltage	12 volts DC / 850 mA / 60% duty cycle 24 volts DC / 550 mA / 60% duty cycle
Temp. range	-20°C to +70°C

E 105	
Dimensions	H 89.0 / w 126.7 / d 64.9 mm
Supply Voltage	10 to 24 volts DC
Idle mode	< 0.1 mA
Actuation Current	< 300 mA at 12 volts
Actuation Time	< 100 ms
Temp. range	-20°C to +70°C

Distributed by:



UCP Inc.
www.ucp-inc.com

Tel.702-802-3504 Email:
info@ucp-inc.com

7200 W Post Rd Suite 100, Las Vegas, NV, 89113