

## wh Münzprüfer Berlin

# ES 003

Minimum mounting height

Anti strimming sensor optional

For indoor and outdoor  
applications



### Electronic anti pin system

Used in conjunction with any wh Münzprüfer electronic coin selector, the anti-pin unit provides an extra level of security and deterrent to vandalism by preventing the acceptance of 'foreign bodies'.

In addition, it will provide coin entry blocking for vending machines, in such instances as 'sold out' or in response to other status reports which are generated by the controller.

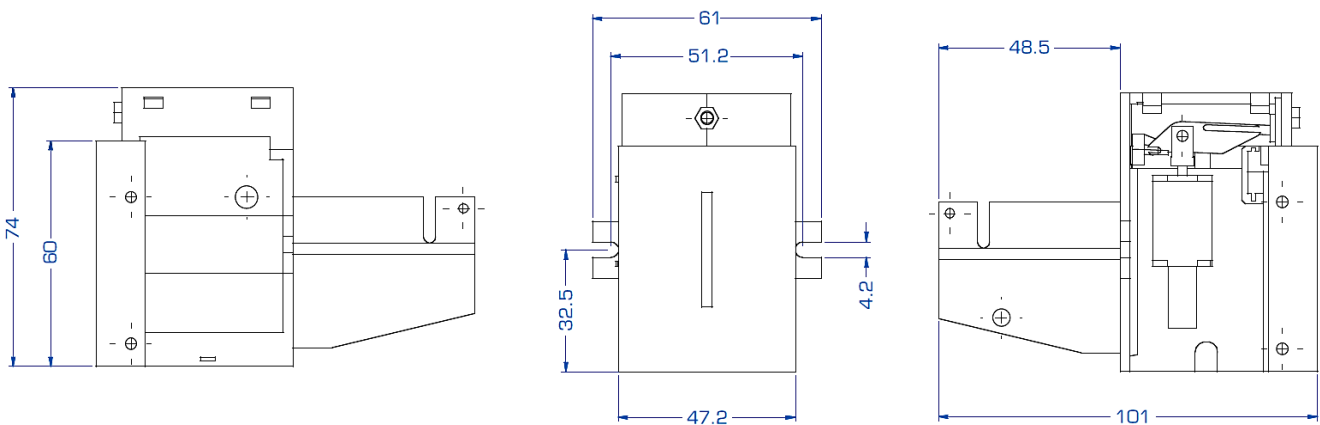
### Distributed by:

## Description

The coin entry slot remains blocked to all non-metallic objects and also to any metal items of a lower mass than the requisite coin. The path from the coin slot to coin selector is self-cleaning. With the slot blocked, the coin exit remains open. The high frequency sensor remains unaffected by dust, humidity or extremes of temperature. Only when a coin is in close proximity to the slot does the sensor then emit a signal, and the machine controller activates the magnet opening the slot.

The optional anti strimming sensor (ES 003.C) provides an effective guard against all attempts of coin manipulation (such as coin on a thread etc.) and releases an alarm signal. A detection of foreign objects within the coin oath has been integrated by means of a new feature.

For applications without a separate controller the anti-pin system ES 003.A with self-activation can be chosen. The coin slot open automatically and closes after a per-set period.



## Technical Data

Dimensions	74mm x 61mm x 101mm (Height x Width x Depth)
Power supply	12 or 24 volts DC
Current consumption	Sensor < 1mA
magnet	12 V 200 mA / 60% duty cycle 24 V 100 mA / 60 % duty cycle
Temperature range	-20°C to +70°C

## Versions

ES 003.12.S	12 volts DC, standard version
ES 003.24.S	24 volts DC, standard version
ES 003.12.F	12 volts DC, anti strimming sensor
ES 003.24.F	24 volts DC, anti strimming sensor
ES 003.12.A	12 volts DC, self-activating
ES 003.24.A	24 volts DC, self-activating
Cable K 202	For ES 003.xx.S, 4-pole, incl. connector
Cable K 204	For ES 003.xx.S, 4-pole, tinned ends
Cable K 208	For ES 003.xx.F, 5-pole, tinned ends

## Distributed by: